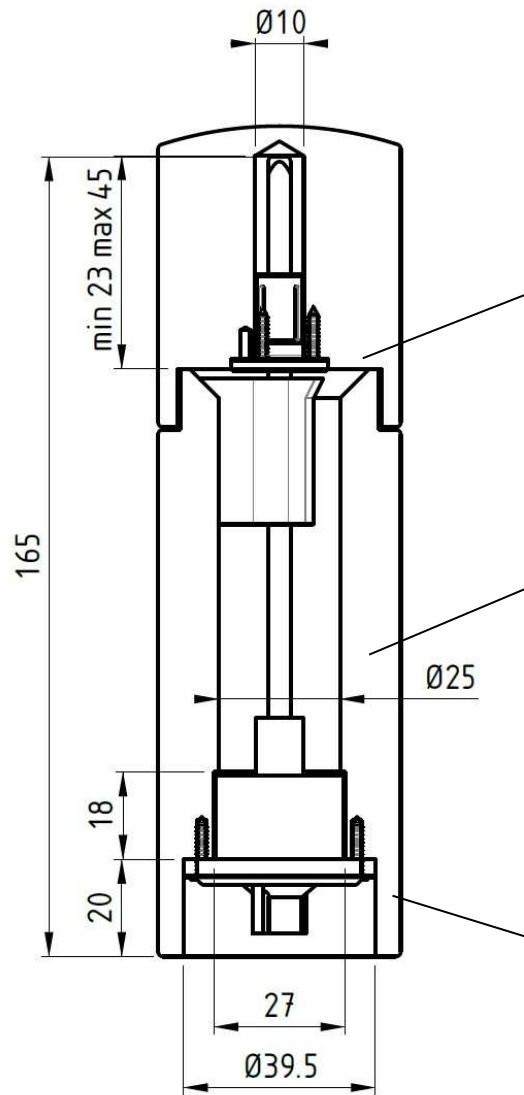


Salt grinding gear with plug-in part



Technical instructions

To assemble the centring Y a chamfer 6x45 is needed

The optimal diameter of the inter chamber amounts to 25mm. If it is smaller, then the salt corns can block

Assembling dimensions of the grinding head

Parts of the salt grinding gear

Plug-in part

Plastic center Y

Axle ■ 4.7mm aluminum

Lengths on stock

160mm

Ceramic grinding head

Adjustment knob

